

Programmable Automatic Transfer Switch (ATS)

Rated Current 2P 250 Amp 2P 400 Amp

Features

- Integrated programmable controller with switch save space, installation time and cost
- MCCB type with available as Class CB *1 / Class PC *2 models
- Electrical and Manual operation, Lug connections to avoid crimping
- Safety lock to avoid injury to personnel during maintenance
- Color LCD display allows direct input of settings
- All phase voltage/frequency monitor & protection for Utility & Generator
- Auxiliary contacts to indicate Utility or Generator MCCB closed
- Adjustable central "OFF" position timer
- Adjustable Weekly exercise timer from 1 to 4 weeks
- Both mechanical and electrical interlock protections
- Complies with IEC60947-6-1 and AC-33A Utilization Category
- Optional communication modules for remote monitoring and control with a Smartphone
- Option of English or Traditional Chinese language display
- All fault message accompany by an audio alarm to notify the user



Programmable Automatic Transfer Switch (ATS)

Patented:

MCCB Rated Current and Rated Breaking Capacity (Class CB only)

No. of Poles	Rated Insulation Voltage Ui (V)	Rated Current (A) Ambient Temperature 40°C	Rated Breaking Capacity IEC 60947-2 Icu / Ics (KA)			
			220V / 240V	380V / 415V	440V	550V
2P / 3P / 4P	690	250	50 / 25	30 / 15	25 / 13	20 / 10

Specifications

Operating Voltage	Refer to Model Number Description
Rated Frequency	50 / 60 Hz
Remote Start Output	7A @ 250 Vac Max.
Auxiliary Output	3A @ 250 Vac Max.

Adjustable Timer Settings

TDNE Time Delay Normal to Emergency	0 to 250 seconds
TDES Time Delay Engine Start	0 to 30 seconds
TDEN Time Delay Emergency to Normal	0 to 999 seconds
TDEC Time Delay Engine Cool-down	0 to 250 seconds
TDOFF Time Delay in OFF position	0 to 99 seconds

Model Number Description

Product	No. of poles	IEC Category	Rated Current	Safety Certification	Applicable Voltages (VAC)	Enclosure
BTB	3	B	2	X	D	C
	2 2P (1P/2W)	B Class CB *1	2 250A	U UL Certified *4	D 240 Volts Only	Blank No enclosure
	4 4P (3P/4W)	P Class CB *3	3 400A *3	X Standard		C With indoor enclosure
						R With outdoor enclosure

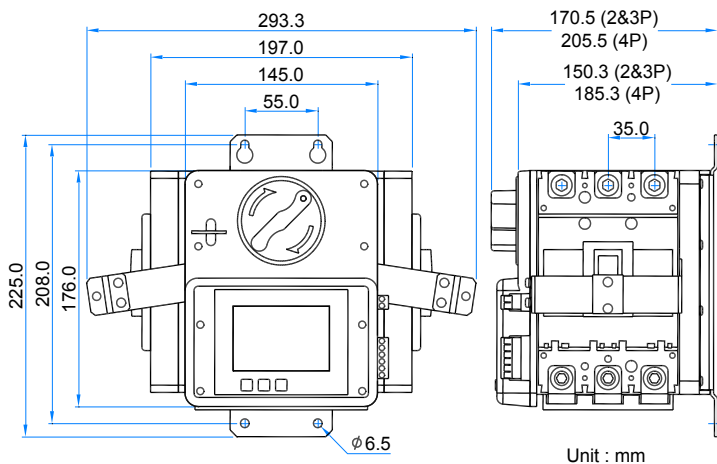
*1 Class CB: Provides over current protection. The main contacts are capable of making and breaking short circuit currents.

*2 Class PC: Able to withstand but not capable of breaking short-circuit current.

*3 Uses 4P MCCB connected as 2P for 400A load current.

*4 UL products are Class PC. UL Certification pending. (Contact mtspowerproducts.com)

Dimensions



Unit : mm

Operating Environment

Operating Temperature	-20 to +70 °C
Storage Temperature	-30 to +80 °C
Relative Humidity	Less than 90%

Physical Specifications

Dimensions	2P : 225.0 (L) x 293.3 (W) x 170.5 (H) mm
	4P : 225.0 (L) x 293.3 (W) x 205.5 (H)
mm Weight	
	3P : 5700g +/-2%
	4P : 6000g +/-2%