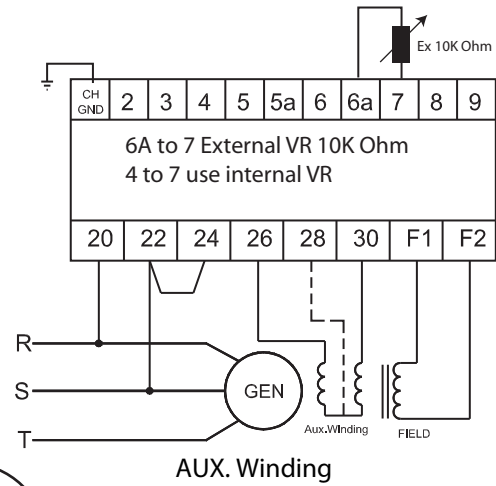
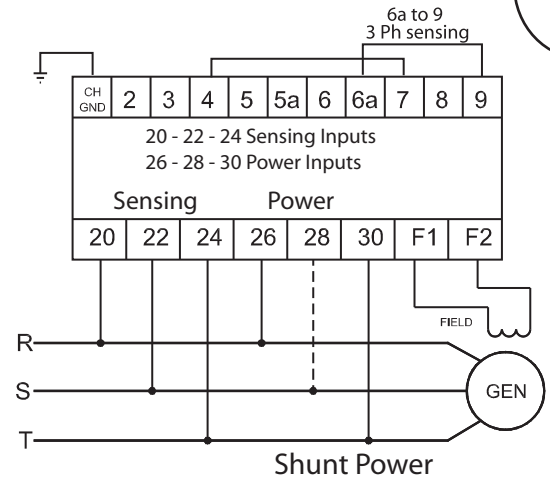


ON	O/E DISABLE	50 Hz	380 to 480 V
OFF	O/E ENABLE	60 Hz	208 to 240 V
	3	4	5



2 OFF	1 OFF	2 ON
2 OFF	1 ON	1 ON
	<90 KW	>500 KW

