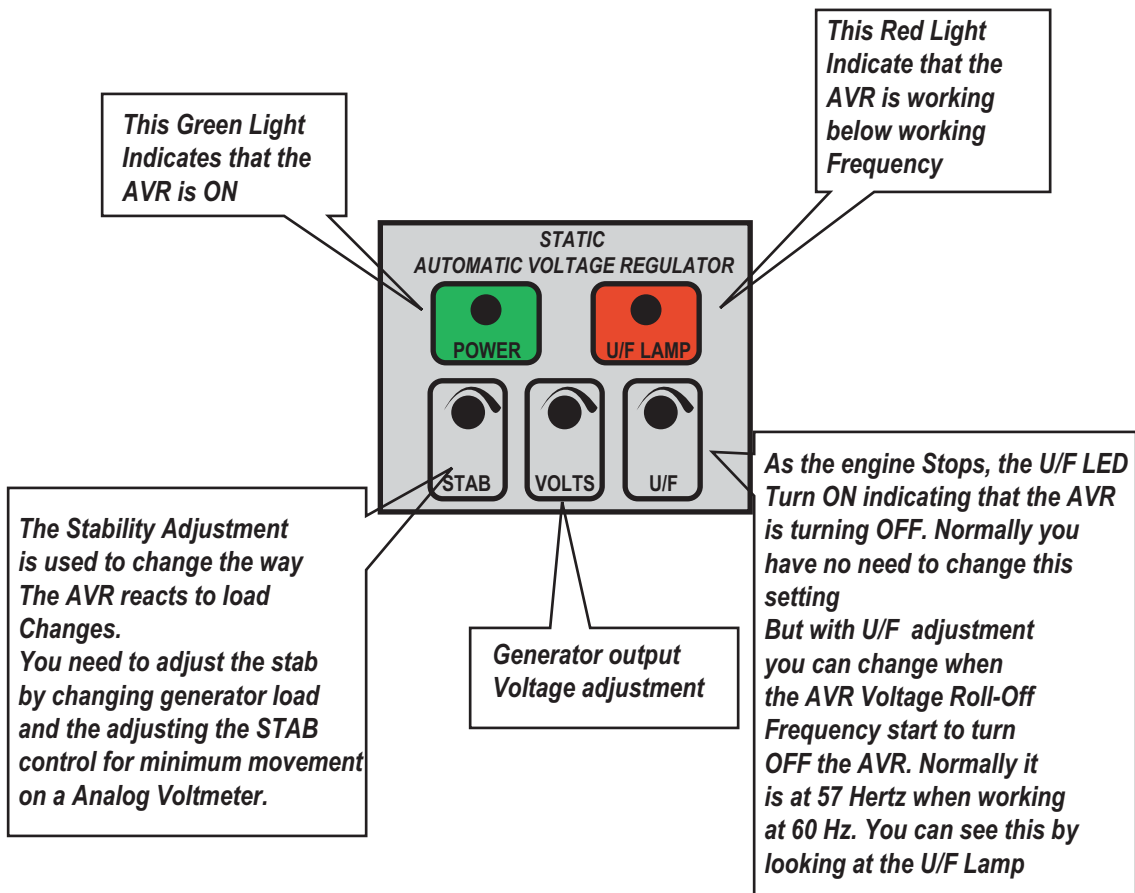


Basic Instructions On The Static AVR's



The Static Voltage Regulator usually works the first time with no problems after installation. But after 25 years of experience I like to tell you about the most common problem I had.

1. - The customer says that the output voltage of the generator is only 1/2 of normal. Specially if the generator is wired to work at 480 Volts output. The problem here is that the INPUT sensing wires of the AVR is not INSTALLED un the First STAR, but on the output power lines. SOLUTION install them on the FIRST START 240v input Max.

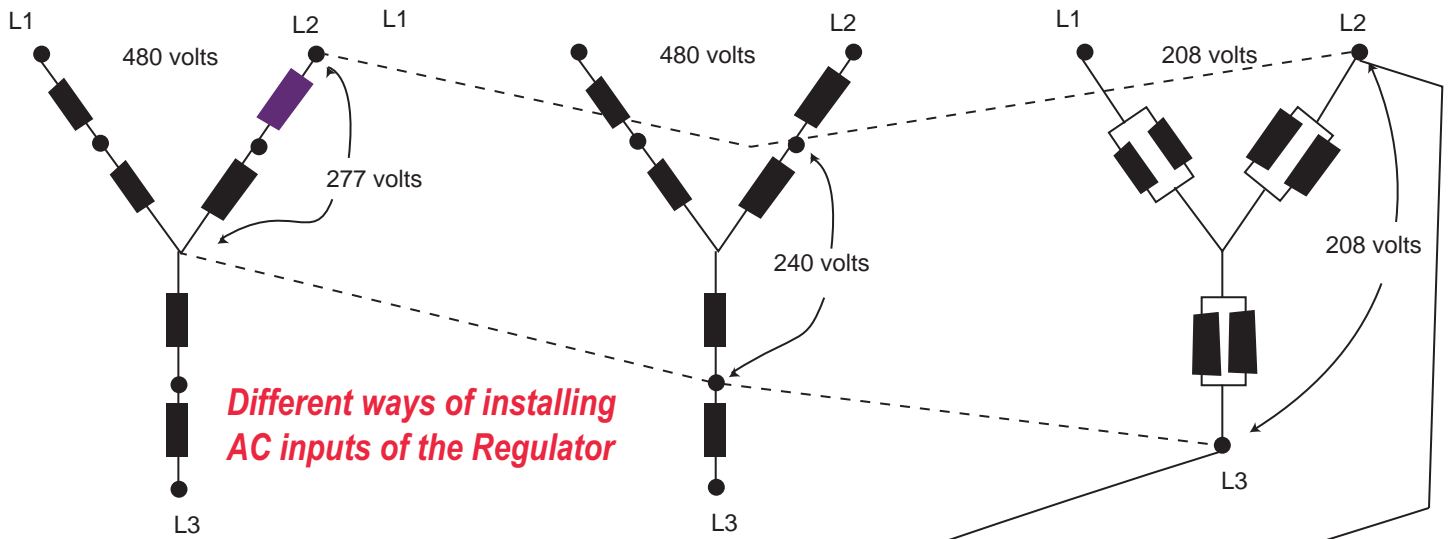
2. - The customer says that he has no power at all coming out of the generator . The SOLUTION is to REVERSE the wires F+ F- on the slip rings.

3. - Another problem is that the generator has no residual voltage to start the build-up process. SOLUTION FLASH the Generator.

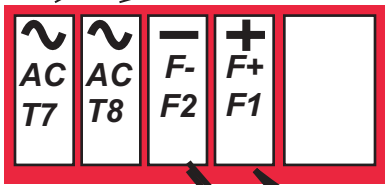
4. - If you need help call Willy at 1-800-541-7677. We can work it out on the phone.



Changing the U/F set point by removing the jumper in the controller. ON for 60 OFF for 50Hz. You can also add a 1K Ohm 1/2 wire resistor for remote voltage adjustment.



The AC Input of the regulator is from 190 to 277 Volts



If you need Flashing use SS500 Automatic Flashing Module

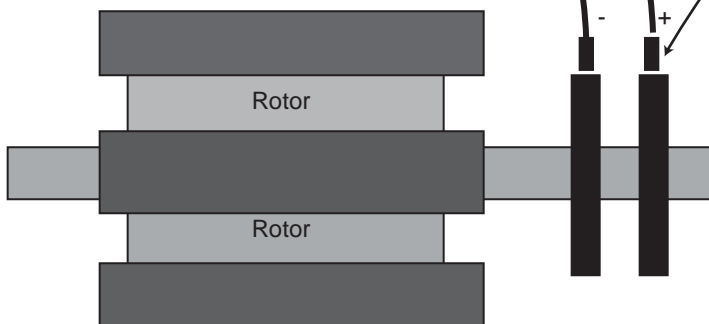
F+

F-

If it does not work the first time Swap the wires going to the slip rings. It can be Connected wrong

The Voltage Regulator needs from 5 to 6 Volts residual Voltage to work. If you don't have residual you have to flash the Generator

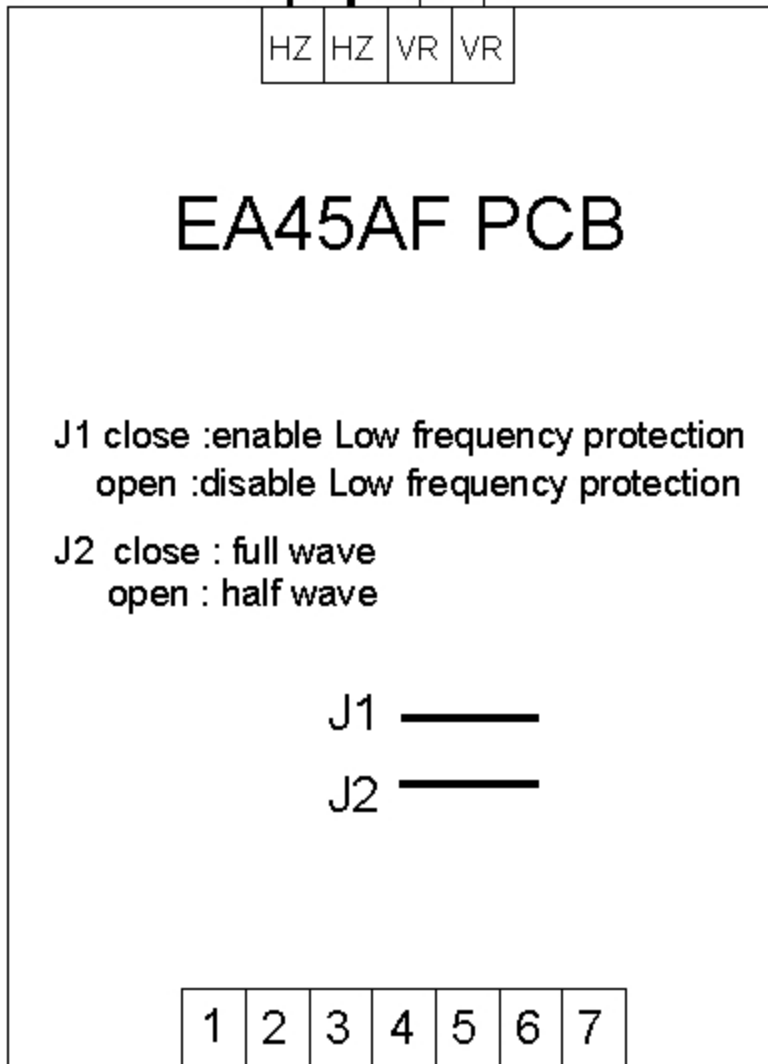
Slip rings on Generator



Caution
High Voltage will kill you
If you don't know what you are doing. Call someone That can help you.
1-800 541-7677

Open : 50Hz
Close : 60Hz

EXT. VR
1K Ohm



half wave

