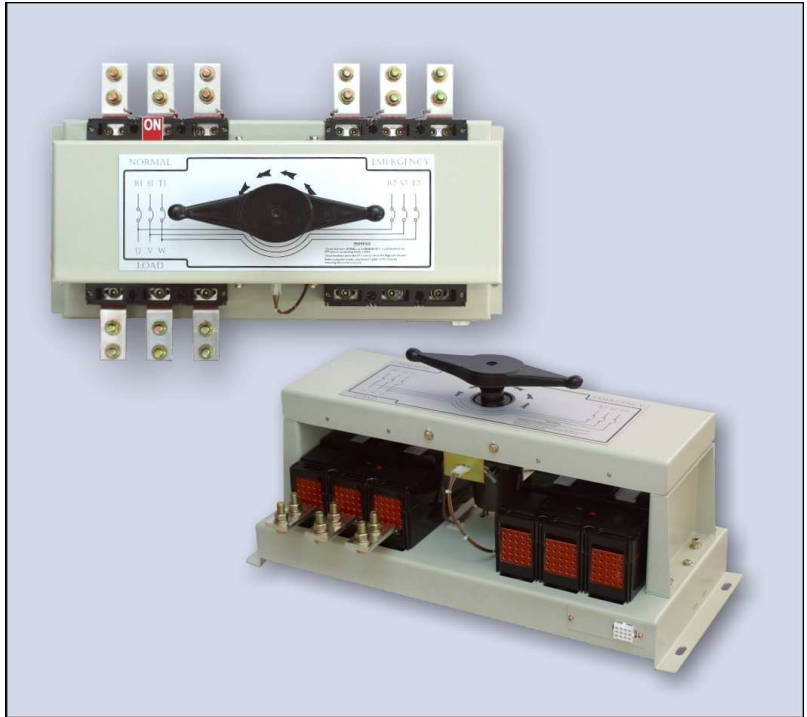


BTS3BE1000 BTS4BE1000
 BTS3BE1200 BTS4BE1200
MCCB Type Transfer Switch
 Rated Current 500~1200A Voltage 100~600VAC



Features

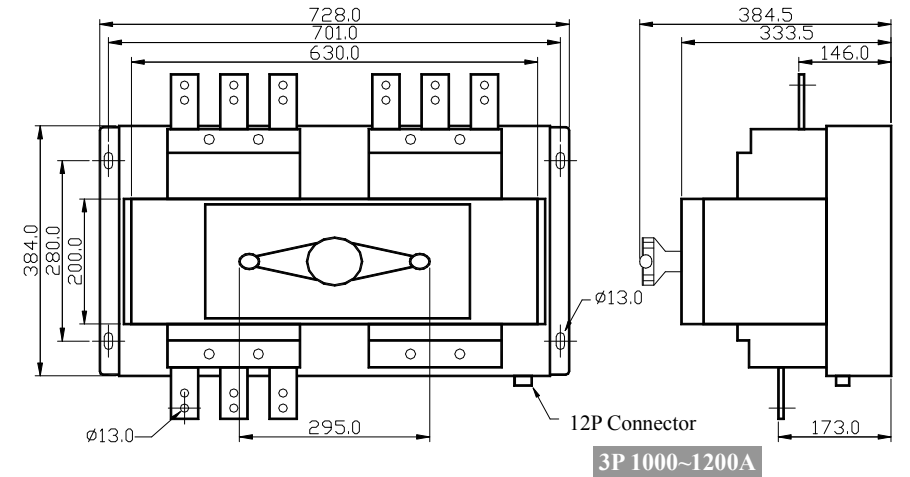
- High Short Circuit Breaking Capacity
- Incorporate OCPD* Design
- Complies with IEC60947-6 requirements**
- MCCB Has Auxiliary Limit Switch Inside
- Reliable Motor-Operated Transfer Mechanism
- Molded Insulating Manual Handle
- PVC-Coated Bus Bar > 3KV Insulation
- With Mechanical Interlock
- Includes Plug-in Connector, For Simple Hook-up to Controller

BTS Rated Operating Current & AC Rated Breaking Capacity

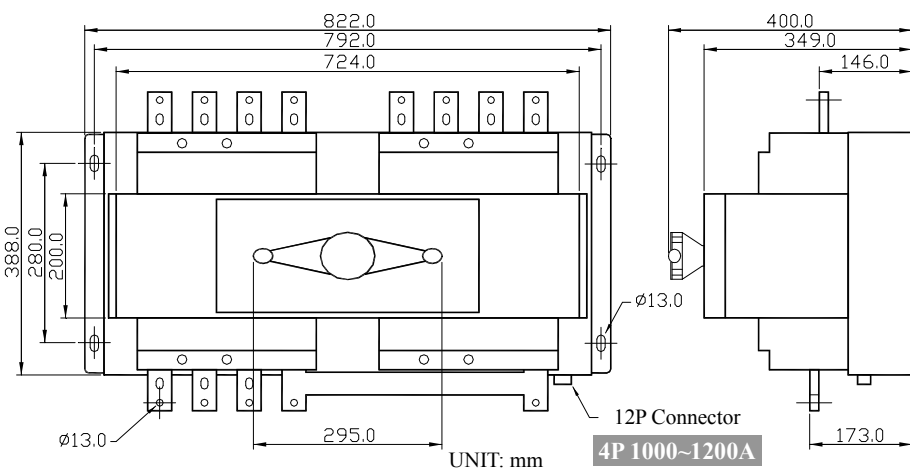
BTS Type	Pole	Rated Current(A)							AC Rated Breaking Capacity					
		Ambient Temperature 40°C							Sym r.m.s(KA) IEC 60947-2 Icu/Ics					
		500	600	700	800	900	1000	240V	380V	415V	440V	500V	690V	
BTS3BE1000	3P	500	600	700	800	900	1000	100	85	65	65	45	25	
BTS4BE1000	4P	500	600	700	800	900	1000	100	85	65	65	45	25	
BTS3BE1200	3P	600	700	800	1000	1200	-	100	85	65	65	45	25	
BTS4BE1200	4P	600	700	800	1000	1200	-	100	85	65	65	45	25	

*For special high breaking capacity requirements, please contact us.

Mechanical Specifications



3P 1000~1200A



4P 1000~1200A

- *OCPD :
Over Current Protection Device
- **IEC60947-6 Class CB :
ATS provided with over current trip and the main contacts of which are capable of making and are intended for breaking short circuit currents.
- **IEC60947-6 Utilization Category AC-33A :
1. Frequent operations.
2. Motor loads or mixed loads including motors, resistive loads and up to 30% incandescent lamp.
- *Customized BTS Available :
Please provide the required specification and specified MCCB type (if there is any), we will evaluate the mechanical capability for customers.