

ADVR-16

Universal 16 Amp 1/2 Wave Self Excited Automatic Voltage Regulator Can Be Used In Parallel Operation

Compatible with Mecc Alte* UVR6, Marelli Motori* M40FA640A-MARK I and Caterpillar* AVR

Features

- Voltage regulation < +/- 0.5%
- Suitable for brushless type generator sensing input 170-510 Vac
- Can be used in parallel operation
- 16 A dc current output
- Suitable frequency 50 / 60 Hz
- Inverse-time over excitation protection
- O/E over excitation protection
- Under frequency protection & soft start voltage ramping
- Load CT current compensation, analogue voltage input

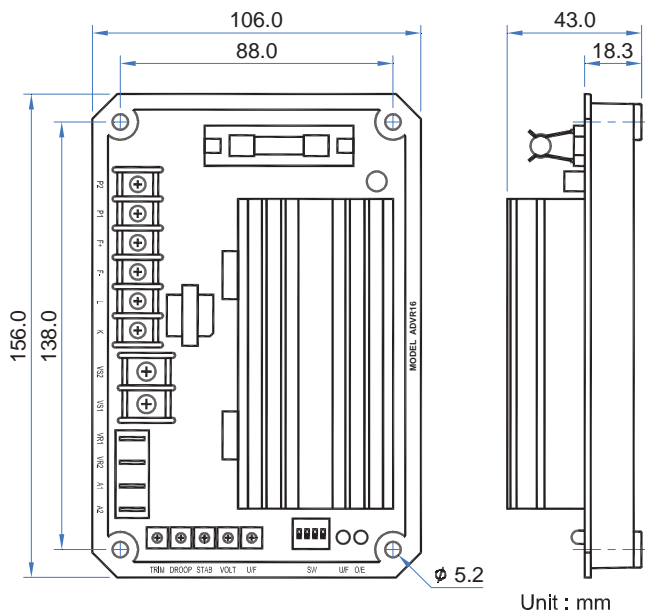


*All manufacturer names, numbers, symbols and descriptions are used for reference purpose only and do not imply that any part is the product of these manufacturer.

Specifications

Sensing Input	Voltage	170-510 Vac 1 phase 2 wire	Over Excitation Protection	Max. DCV 95% 20 sec.
		DIP switch selectable	Ext. Volts Adjustment	+/- 5% with 2K ohms 1 watt trimmer
	Frequency	50 / 60 Hz	Unit Power Dissipation	Max. 10 watts
Power Input	Voltage	60-300 Vac 1 phase 2 wire	Under Frequency Protection	55 Hz @ 60 Hz / 45 Hz @ 50 Hz
	Output	Voltage	Max. 90 Vdc @ 240 Vac input	(Adjustable)
	Current	Continuous 16A	Analogue Input	Max. +/- 5 Vdc +/- 10% @ +/- 3 Vdc
		Intermittent 20A for 10 sec.	CT Current Compensation Input	1A or 5A (Adjustable)
	Resistance	Min. 5 ohms	Environment	Operation Temperature -40 - +70 °C
Volts Regulation		< +/- 0.5% (with 4% engine governing)	Storage Temperature	-40 - +85 °C
Build Up Voltage		Residual volts at AVR terminal > 5 Vac	Relative Humidity	Max. 95%
Thermal Drift		0.03% per °C change in AVR ambient	Vibration	3.3Gs @ 100-2K Hz

Mechanical Specifications



AVR Control Function

VOLT	Voltage adjustment
STAB	Stability adjustment
U/F	Setting under frequency protection knee point
DROOP	Droop adjustment
TRIM	Analogue input adjustment

Physical Specification

Dimensions	156.0 (L) x 106.0 (W) x 43.0 (H) mm
Weight	535 g +/- 2%